

VIPP476

# Rack extension, tall

# IMPORTANT SAFETY INSTRUCTIONS

## Important information

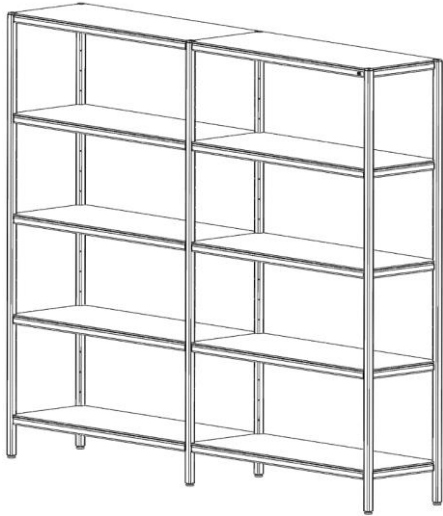
Read carefully. Keep this information for future reference.

## WARNING

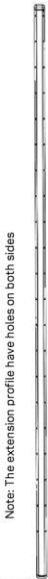
Serious or fatal crushing injuries can occur from furniture tip-over. To prevent the rack from tipping over, it should be permanently fixed to the wall. A wall mount is included but since different wall materials require different types of screws, screws for fixating the rack to the wall are not included. Make sure to use screws suitable for the walls in your home. For advice, contact your local specialised dealer.

Please note that due to the heaviness of this product, we recommend that the installation is carried out by two people.

# ASSEMBLY GUIDE



5 x complete shelf containing:  
1 x shelf frame  
1 x ceramic plate



Note: The extension profile have holes on both sides



2 x extension profiles

1 x hex key



20 x M5 Screw

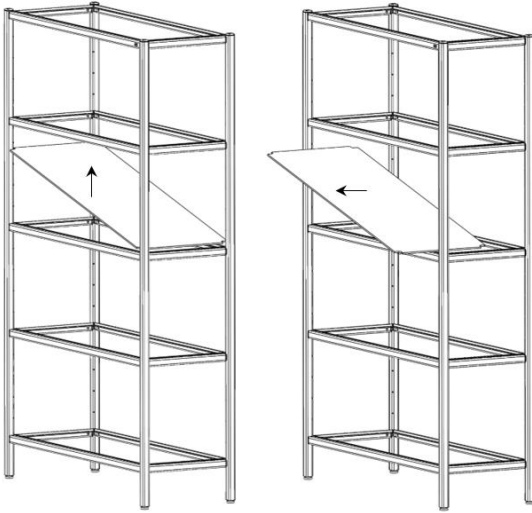


2 x people

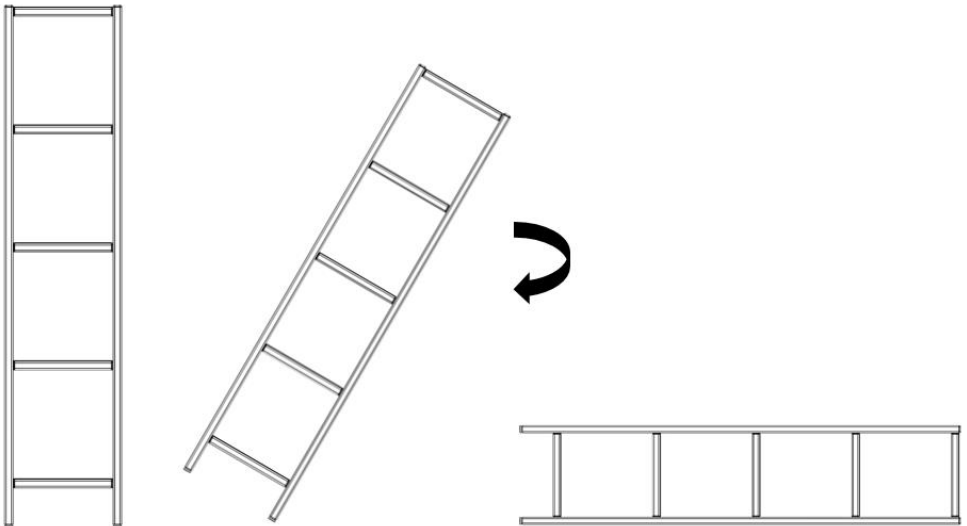


1 x wall bracket set

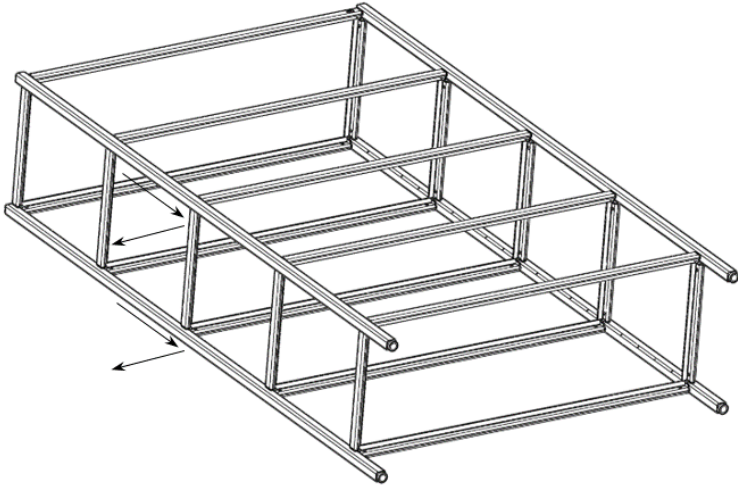
Please note: Due to the heaviness of this product, we recommend that the installation is carried out by two people.



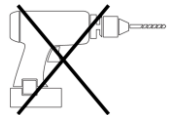
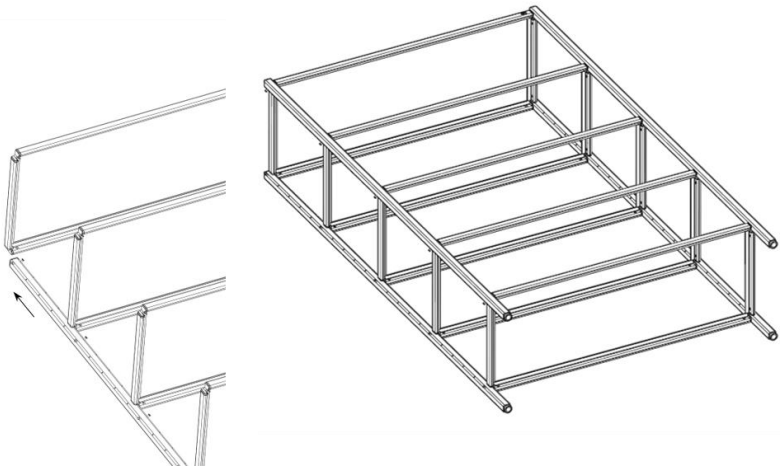
Remove all ceramic plates from the rack. It is advised to be two persons to lift and remove the ceramic plates. Lift the ceramic plates in an angled position and remove them from the frame. Avoid bumping the plates against the frame.



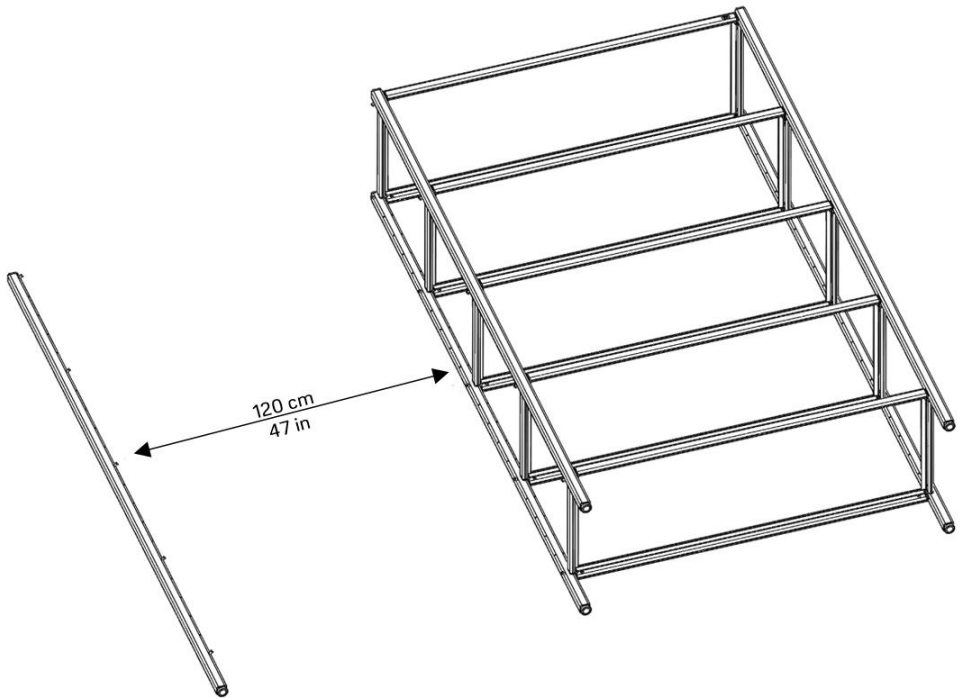
Lay down the rack on the floor.



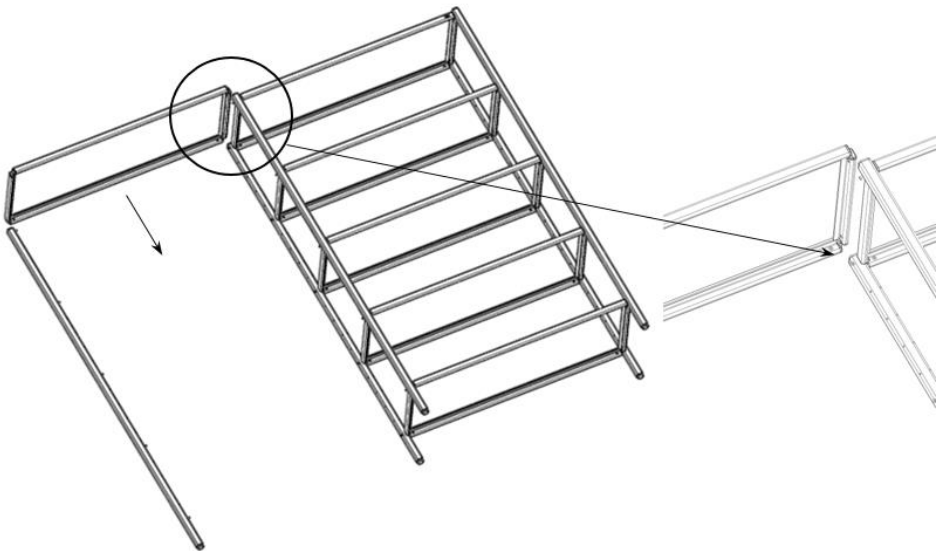
Remove the two corner profiles on the left. Remove all screws on the corner profile and slide it down the frame to remove it.

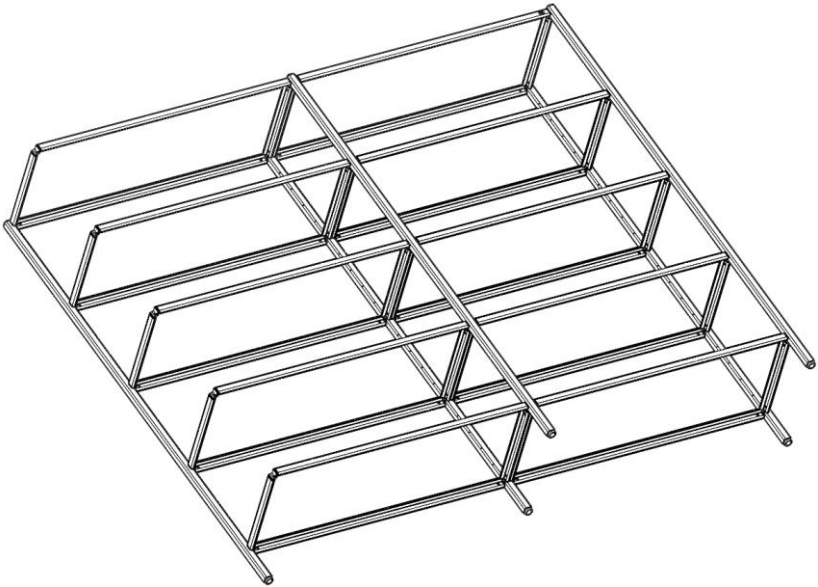


Insert 10 screws both corner extension profiles by hand power. Do not use a hex key or power tool. Do not tighten the screws fully. Install the two extension profiles (with holes on both sides) by sliding them onto the frame.

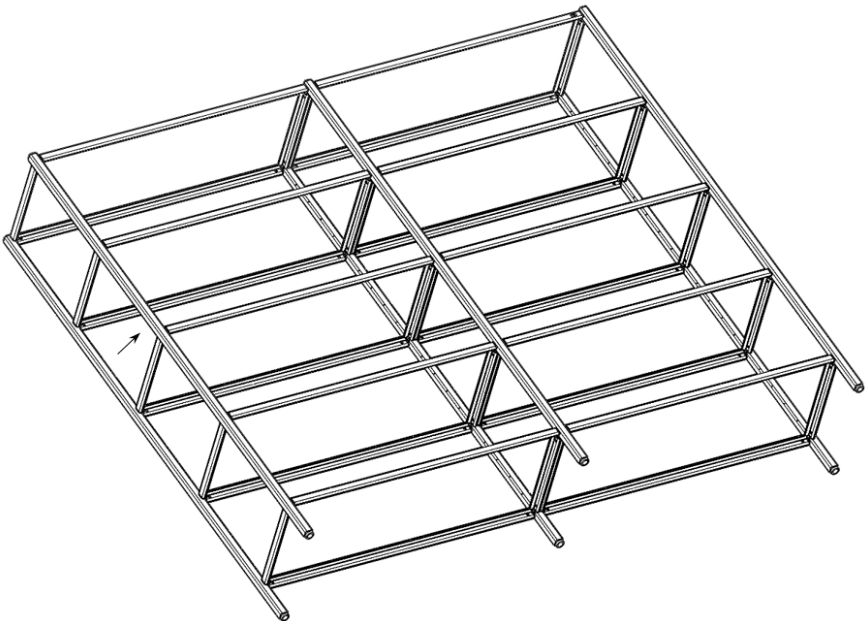


Place one of the corner profiles (only holes on one side), that you removed from the rack, on the floor.

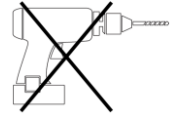
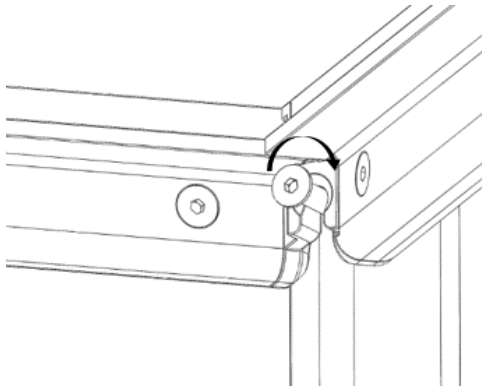




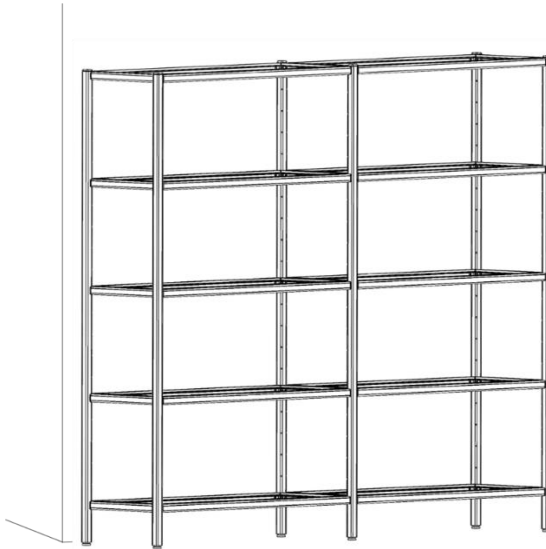
Install the shelves by sliding them down onto the screws.



Re-install the last corner profile (only holes on one side).



Tighten the screws for the shelves using a hex key. Do not use power tool.

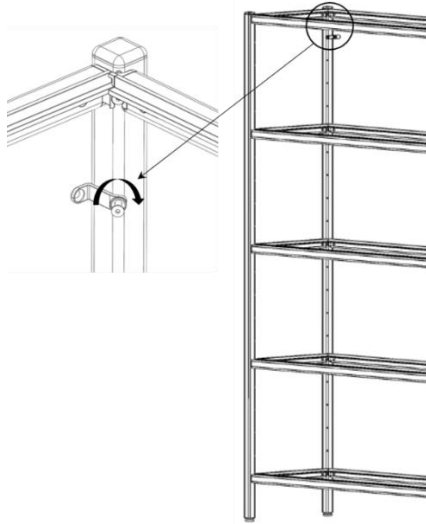


Lift up the rack and place it against the wall.

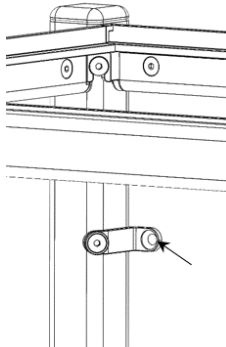
**WARNING**

Serious or fatal crushing injuries can occur from rack tip-over. The rack must be permanently fixed to the wall to prevent it from tipping over.



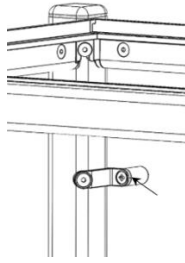


Install the wall mount in the free hole at the top of the rack facing the wall. Install the wall mount at the same height as the two wall mounts already installed.

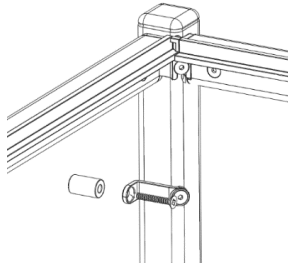


Mark a hole in the wall through the free hole in the wall bracket. Move the rack and drill a hole through the marking. Move the rack back in place.

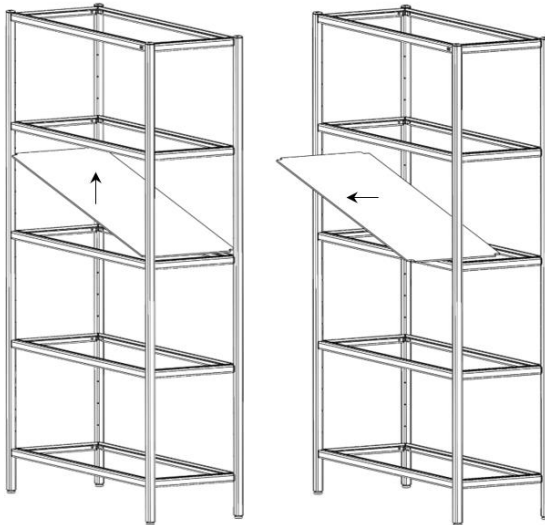
Please note: Because different wall materials require different types of screws, screws for fixating the rack to the wall are not included. Make sure to use screws suitable for the walls in your home. For advice, contact your local specialised dealer.



Use a similar distance piece from the wall bracket set as the other two used on the rack.

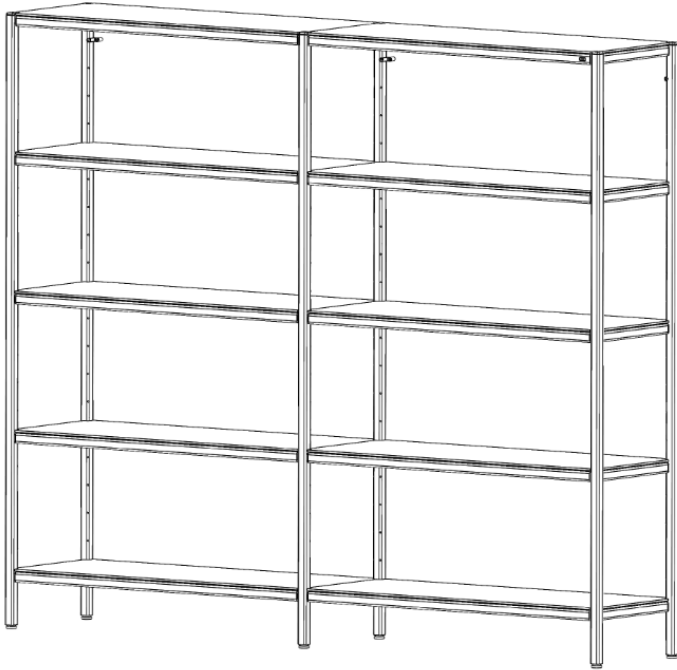


Insert the screw and tighten it fully to secure the rack to the wall.



Re-install all ceramic plates. It is advised to be two persons to lift and install the ceramic plates.

Lift the ceramic plates in an angled position and insert them into the frame. Avoid bumping the plates against the frame.



The extension unit is now installed and your rack is ready for use.

## CONTACT

### **Vipp Office**

Snorresgade 22 | 2300 Copenhagen S | Denmark  
+45 4588 8800 | [info@vipp.com](mailto:info@vipp.com)

### **Vipp Concept Store and Kitchen Showroom**

Ny Østergade 34 | 1101 Copenhagen K | Denmark  
+45 4588 8815 | [cph@vipp.com](mailto:cph@vipp.com)

### **Vipp USA LLC Showroom**

83 Murray Street, #3 | New York, NY 10007 | USA  
+1 (917) 580 2148 | [vippusa@vipp.com](mailto:vippusa@vipp.com)

[vipp.com](http://vipp.com)