

VIPP

Extension plate

The Vipp extension plate is an attachable plate to extend the Vipp table. Its customised design fits solely onto the Vipp971-972 tables and the simple construction makes it quick and easy to mount and demount.

CARE INSTRUCTIONS

We recommend caring for the extension plate to ensure its long-lasting appeal and appearance.

General care: Use a cloth, warm water and a mild detergent. Scrub thoroughly in case of solid stains. Do not use sandpaper, sponges or coarse cloths as this might damage the protective layer of the surface and leave scratches. Always use coasters for drinking glasses and rivets for hot items.

WARRANTY

Vipp offers warranty on your product according to national laws and regulations. The warranty does not cover defects or damage caused directly or indirectly by misuse or poor maintenance, violence or manipulation. In case of a defective product, please contact your place of purchase.

For questions regarding your Vipp product:

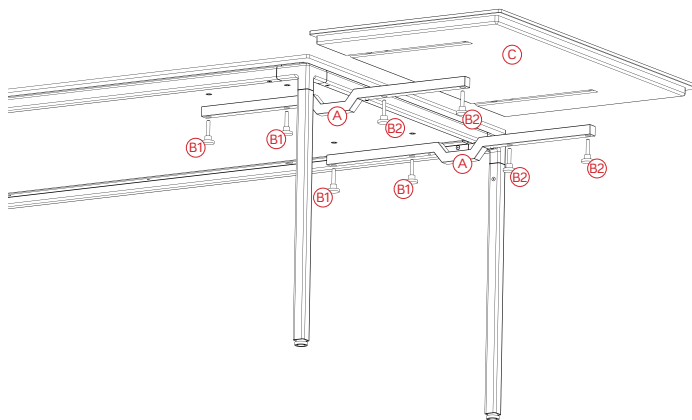
Europe | info@vipp.com | +45 4588 8800

US | vippusa@vipp.com | +1 (917) 580 2148

vipp

MOUNTING INSTRUCTIONS

1. Fasten the support bars (A) to the underside of the table by using the finger screws (B1)
2. Place the extension plate (C) on top of the support bars (A)
3. Push the extension plate into place, by aligning the front with the edge of the tabletop
4. Finish by fastening the the finger screws (B2)



ADJUSTMENT GUIDE

The extension plate might need to be adjusted back into the right position. Follow the instructions below to adjust the height of the plate.

- 1) Unscrew all four finger screws (B2) approx. 5 mm.
- 2) Use an allen key (D) to screw in the two set screws (E) in both sides until the extension plate is flush against the tabletop
- 3) Refasten all four finger screws (B2)

